

# Installation

## Valve Location

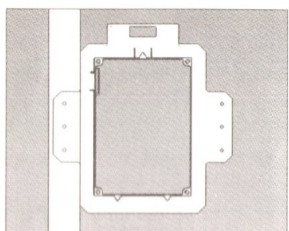
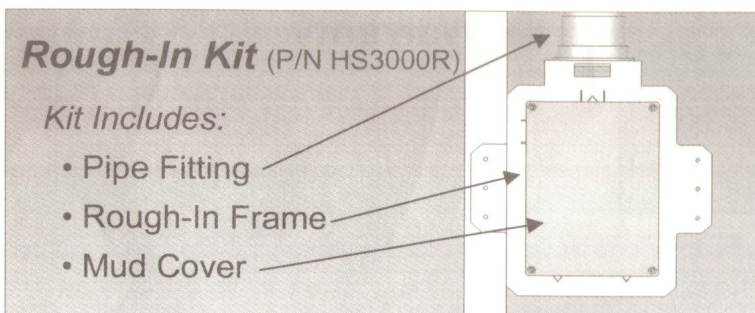
Spot is designed for quick-clean jobs in mess prone areas. It is perfect in laundry rooms, pet areas and foyers. When determining valve placement, consider the most effective placement for the 10' reach of the hose.

Example: In the laundry room, install the valve at a height that is convenient for cleaning the dryer vent based on the vent location.

The valve can be installed so the hose retracts up or down. In some installations the hose retraction may interfere with the on/off switch and turn the system off unexpectedly. This can be avoided by repositioning the valve so the hose pulls away from the switch for most uses.

**Note:** The hose is stored in the tubing and needs to be in a vertical position for best performance when pulling out/retracting in. The compressed hose is 30" long. A tight 90 degree elbow installed 32" from the valve will prevent the retracting hose from expanding and being pulled into the horizontal tubing.

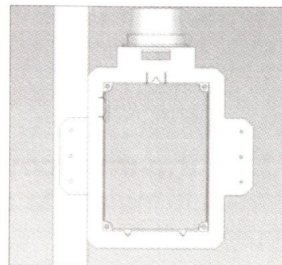
## New Construction Rough-In



### **Attach the frame to the stud.**

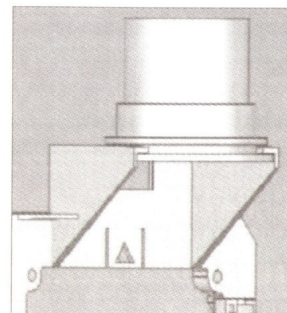
Determine the best location for the valve and attach to the stud. Be certain the final location allows for 32" of tubing for hose storage. Make sure the frame is level.

## New Construction Rough-In

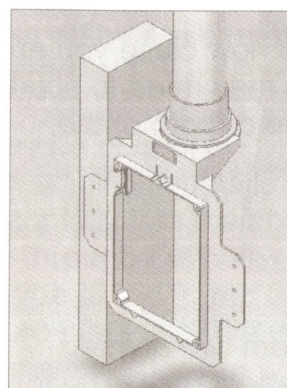


### **Insert the pipe fitting.**

The rough-in frame contains a "U-shaped" bracket. Slide the grooved end of the pipe fitting into U-shaped bracket. The bracket and fitting slide to allow adjustment for variations in wall board thickness.



**NOTE:** Valves can be used with a maximum wall thickness of 3/4". Thicker walls may require modification.

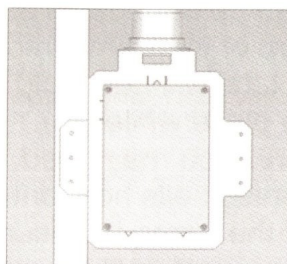


### **Install the pipe into the fitting.**

Glue the pipe into the fitting, making sure it seats all the way to the ridge of the pipe fitting.

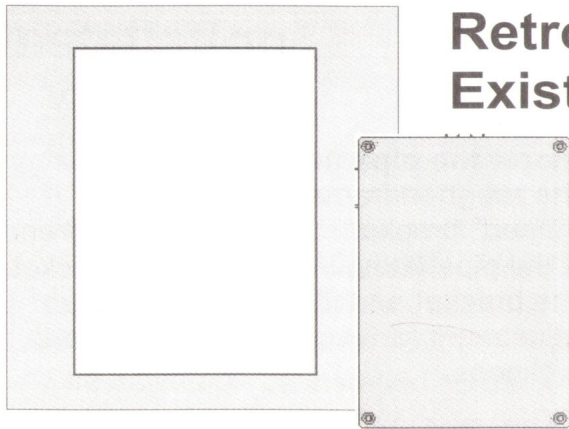
### **Low-Voltage Wire**

Run low-voltage wire to each inlet just as you would with a standard central vacuum install. Secure low-voltage wire to pipe at the base of fitting. Allow 12" of slack wire and tuck back into pipe.

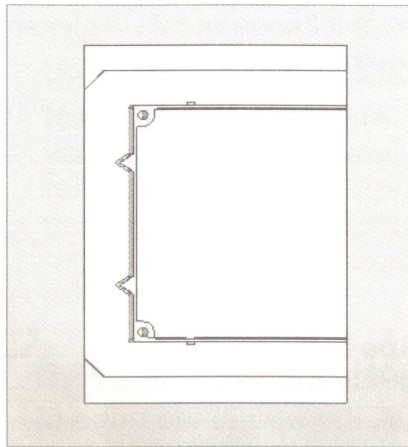


### **Install the mud cover.**

## Retrofitting an Existing Home



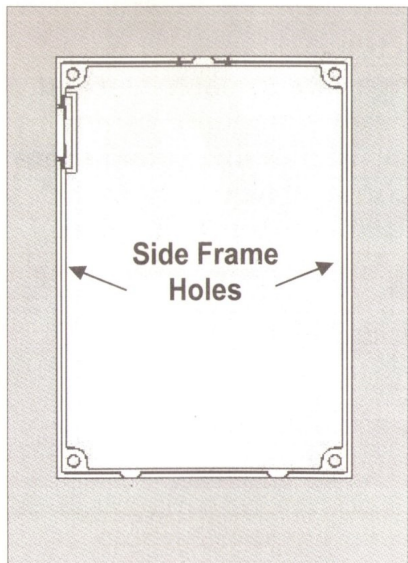
Use the mud cover as a template to cut the hole.



### Insert the rough-in frame

To get the frame through the cut hole, turn it sideways. Angle through the hole and once behind the drywall turn the frame to a vertical position.

Depending on how close you are to a stud, you may need to score and cut off one or both of the mounting tabs.



Push the bottom two pointed tabs into the sheet rock. The top pointed tab can be bent down as you pull the top of the frame into the hole. The tabs will help hold the frame into place while you install the valve. You may need to use small finish nails horizontally on the side of the frame to secure the mounting bracket until the valve is installed.

## Trim

### Trim Kit

Kit Includes:

- Valve Assembly
- Snap-on Door

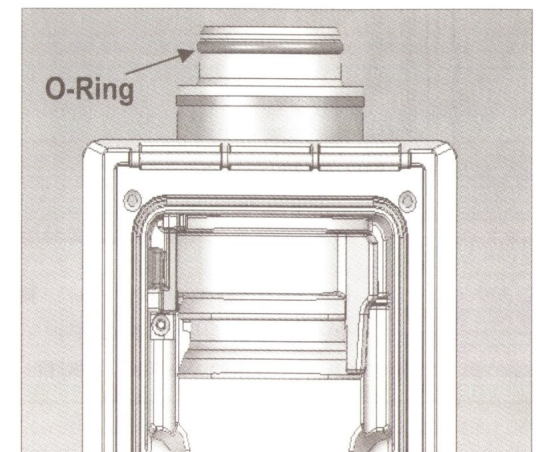
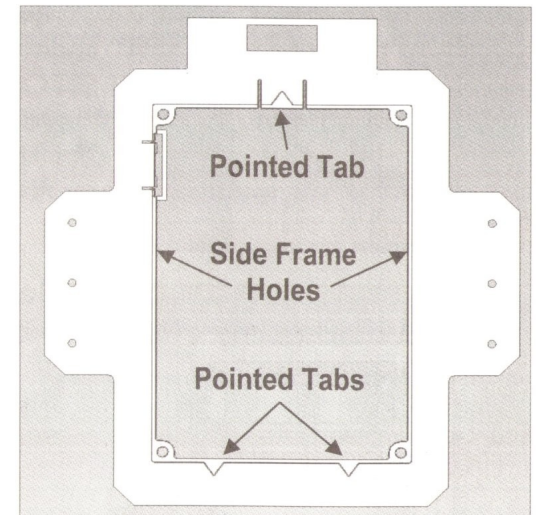


### The pointed tabs

are used to secure the frame to the sheetrock while you install the valve. With new construction, it is likely that these tabs will be cut off by the sheetrock installers.

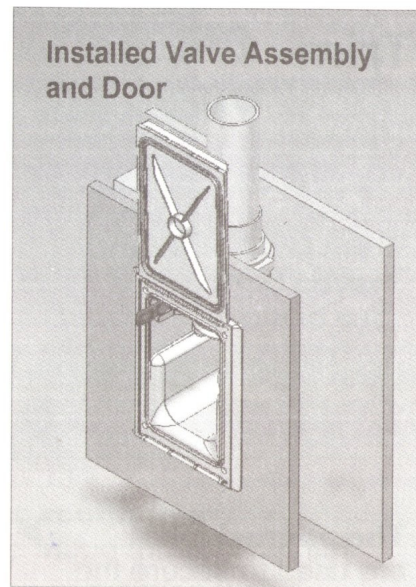
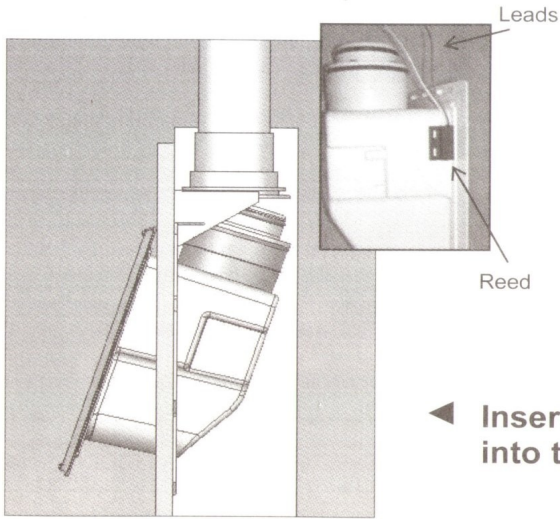
It may be helpful to push small finish nails horizontally into the sheet rock through the holes in the side of the frame to secure plate until the valve is installed.

Apply a silicone based lubricant to the O-ring. (Included)



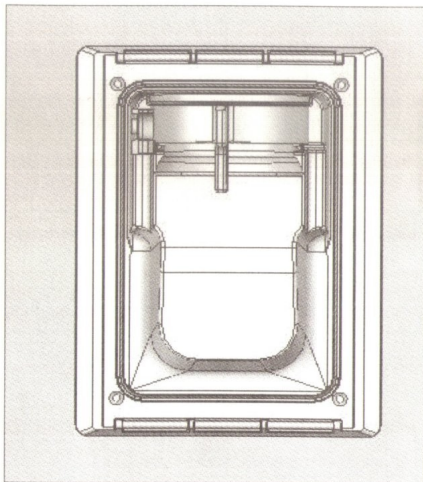
## Low-Voltage Wire

Use wire nuts to connect the low voltage wire to the two leads on the reed switch (located on the outside of the valve).

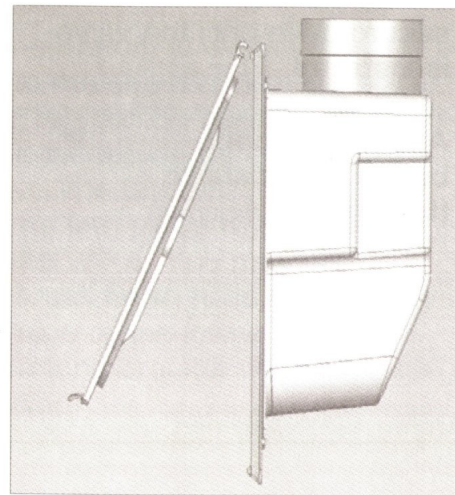


◀ **Insert the valve assembly into the rough-in frame.**

◀ **Secure valve to frame by aligning the four holes in the valve assembly with the holes in the frame. Secure with the four screws included with the trim kit.**



▶ **Install the door by lining up the door and valve hinge, then press it into place.**



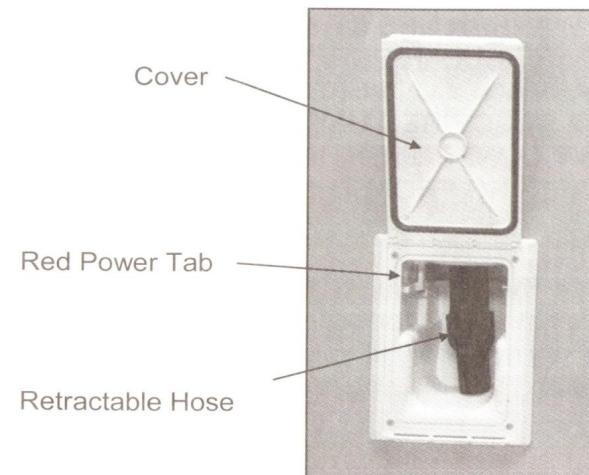
## Usage

### Using Spot

Spot is the ultimate central vacuum accessory. It harnesses the airflow from your central vacuum system to deliver on-the-spot cleaning.

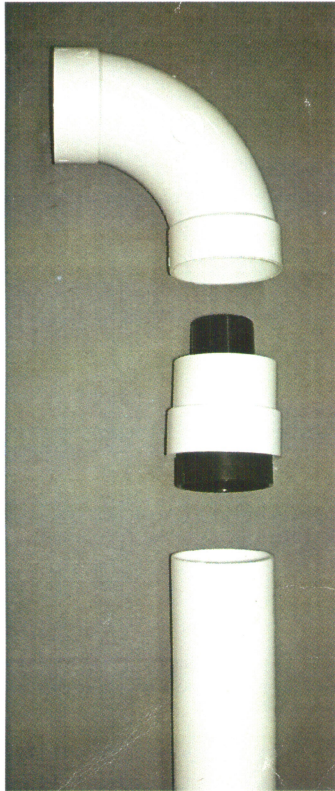
To use your Spot:

1. Lift the cover.
2. Pull out the retractable hose.
3. Pull out the red tab to turn on the vacuum power.
4. Vacuum the dry mess.
5. Walk hose back toward valve. The hose will start to automatically retract. (NOTE: If your hose does not retract, place your hand over the nozzle to stop the airflow and it will pull back into the valve.)
6. Push the red tab to turn off vacuum power.
7. Close the cover.



## SPOT INSTALLTION UPDATE

When installing a SPOT valve, a reducer coupling (part # 5532W) should be adhered to the end of the PVC tubing before the first elbow. This prevents the SPOT cuff from entering the elbow.



IH-108